

PCB CURRENT TRANSFORMER

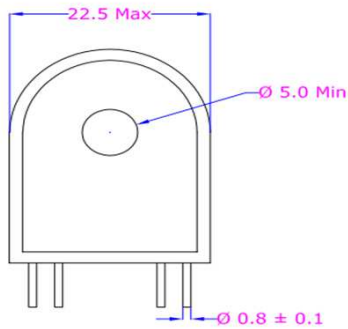
FEATURES

High accuracy
 High isolation
 Dielectric strength: 3.5k Vrms
 RoHS Compliant

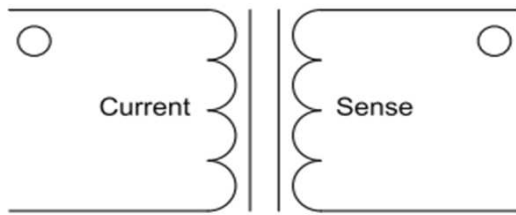
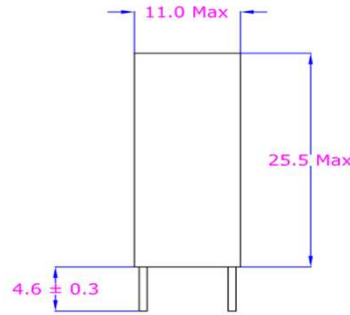


OUTLINE DIMENSIONS

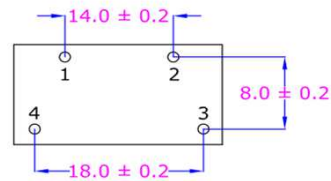
Front View



Side View



Bottom View



Note:
 All Dimensions are in mm.

Type	Amps	Turns	DCR Ω	Inductance mH
PCB CT 25-1	1	25	95.0	0.7
PCB CT 50-1	1	50	260.0	2.7
PCB CT 100-1	1	100	1000.0	11.1
PCB CT 200-1	1	200	3300.0	44.0

Specified parameters are subject to change, without any notice.

Various Type available upon request.

UTSAVGIRI COMPUTERS & ELECTRONIC INDUSTRIES PVT. LTD.,
 Type II/18, Dr.V.S.I. Estate, Thiruvannmiyur, Chennai – 600 041, INDIA
 Phone : +91-44-22541078,+91-44-22541265.
 Email : utsavgiri@gmail.com

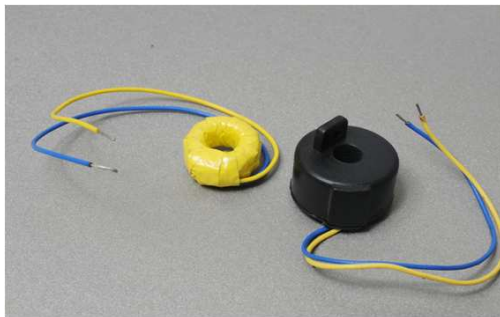
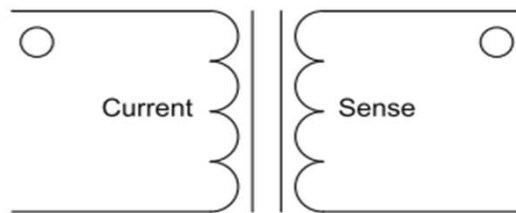
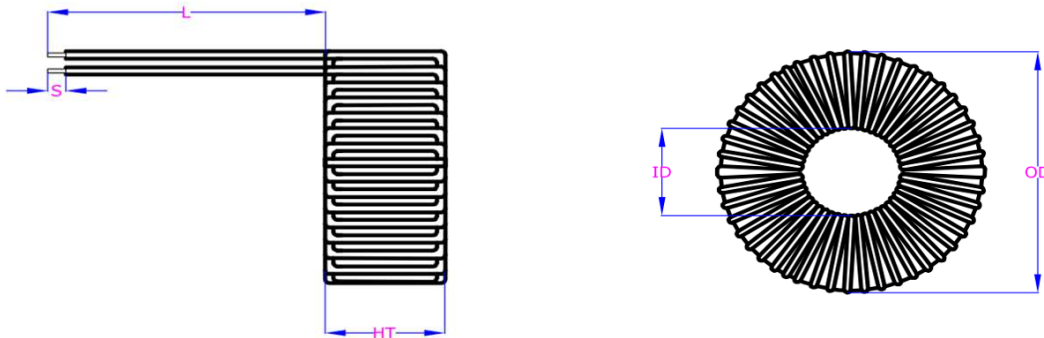
CURRENT TRANSFORMER FLY LEAD

FEATURES

- High accuracy
- High isolation
- Dielectric strength: 2k Vrms
- RoHS Compliant



OUTLINE DIMENSIONS



Type	Amps	Turns	DCR Ω	Inductance H	OD (mm)	ID (mm)	Ht (mm)	L (mm)	S (mm)
FL CT 550-2	2	550	20.0	3.5	18.0	7.0	9.0	100.0	10.0
FL CT 525-2	2	525	15.0	6.0	29.0	11.0	18.0	100.0	10.0
FL CT 1200-5	5	1200	60.0	30.0	24.0	10.0	12.0	100.0	10.0
FL CT 2000-5	5	2000	125.0	55.0	31.0	8.0	22.0	150.0	10.0
FL CT 2500-10	10	2500	90.0	70.0	36.0	12.0	17.0	150.0	10.0
FL CT 1050-10	10	1050	35.0	15.0	35.0	14.0	16.0	150.0	10.0
FL CT 2500-20	20	2500	140.0	50.0	24.0	8.0	9.0	100.0	10.0
FL CT 2300-20	20	2300	100.0	45.0	28.0	6.0	15.0	100.0	10.0
FL CT 3750-30	30	3750	260.0	80.0	31.0	7.0	29.0	150.0	10.0
FL CT 2300-30	30	2300	155.0	40.0	31.0	8.0	14.0	150.0	10.0
FL CT 5000-40	40	5000	330.0	200.0	36.0	13.0	18.0	150.0	10.0
FL CT 2500-60	60	2500	165.0	140.0	29.0	9.0	19.0	100.0	10.0
FL CT 4500-60	60	4500	200.0	150.0	42.0	15.0	23.0	150.0	10.0
FL CT 5000-80	80	5000	335.0	200.0	49.0	22.0	16.0	150.0	10.0
FL CT 4500-100	100	4500	220.0	200.0	54.0	25.0	26.0	150.0	10.0
FL CT 2500-100	100	2500	230.0	190.0	29.0	10.0	24.0	100.0	10.0
FL CT 6000-200	200	6000	300.0	170.0	63.0	34.0	24.0	150.0	10.0
FL CT 2000-300	300	2000	32.0	30.0	54.0	17.0	55.0	150.0	10.0

Specified parameters are subject to change, without any notice.

Various Type available upon request.

UTSAVGIRI COMPUTERS & ELECTRONIC INDUSTRIES PVT. LTD.,
 Type II/18, Dr.V.S.I Estate, Thiruvanniyur, Chennai – 600 041, INDIA
 Phone : +91-44-22541078,+91-44-22541265.
 Email : utsavgiri@gmail.com