

**Common Mode Inductors**

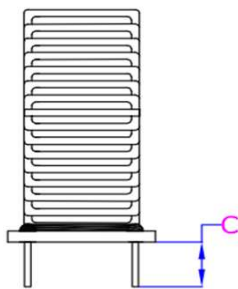
**FEATURES**

- Single layer wound
- Excellent EMI suppression capability
- High current capacity
- Dielectric strength: 1.5k Vrms
- RoHS Compliant

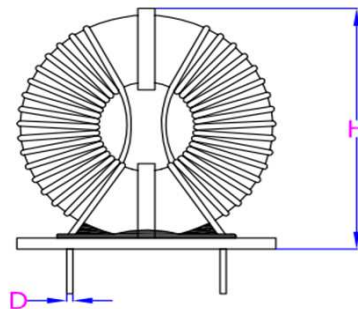


**OUTLINE DIMENSIONS**

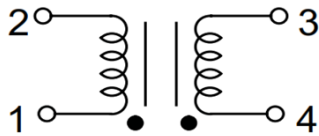
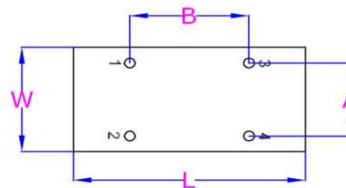
**Side View**



**Front View**



**Bottom View**



Type	Length L (mm)	Width W (mm)	Height H (mm)	Pin to Pin* A (mm)	Row to Row* B (mm)	C (mm)	D* (mm)
Toroid 14x8x7	18.5 Max	11.5 Max	20.5 Max	6.0 ± 0.2	12.0 ± 0.2	5.0 ± 0.2	0.8 ± 0.2
Toroid 20x10x10	21.0 Max	27.0 Max	21.5 Max	22.0 ± 0.2	15.0 ± 0.2	5.0 ± 0.2	0.8 ± 0.2
Toroid 25x15x10	28.0 Max	28.5 Max	21.5 Max	23.5 ± 0.2	22.0 ± 0.2	5.0 ± 0.2	1.0 ± 0.2
Toroid 29x19x15	31.5 Max	31.5 Max	20.5 Max	26.5 ± 0.2	25.5 ± 0.2	5.0 ± 0.2	1.0 ± 0.2

**Note:**

\* Various dimension available based on customer request.  
Specified parameters are subject to change, without any notice.

# Various Type available upon request.

**UTSAVGIRI COMPUTERS & ELECTRONIC INDUSTRIES PVT. LTD.,**  
**Type II/18, Dr.V.S.I. Estate, Thiruvanniyur, Chennai – 600 041, INDIA**  
**Phone : +91-44-22541078,+91-44-22541265.**  
**Email : utsavgiri@gmail.com**